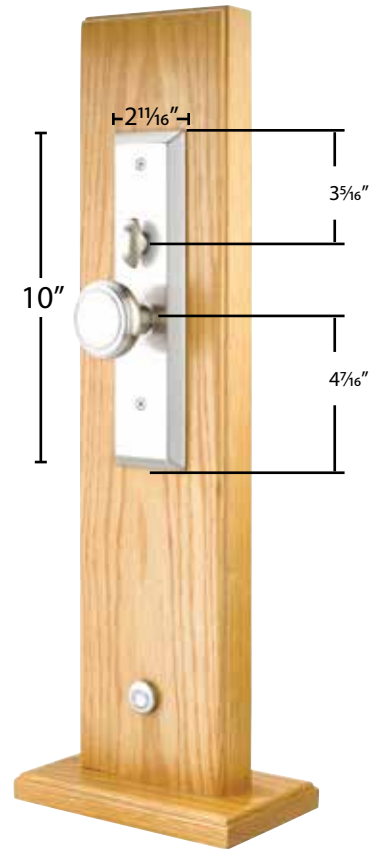




Harrison Trim Style
Part # 3351



Middleton Trim Style
Part # 3352



Standard interior trim
Part # 3351/3352

Additional Dimensions: (Part# 3351/3352)

- Exterior Projection is 2 3/4"
- Interior Projection Depends on Handle Style
- Overall Grip thickness: 1 1/4"
- Clearance between door & grip is 2"
- Plates thickness: 1/2"

Same dimensions for dummy function

Door Thickness Specifications

Standard Door Thickness: 1 3/4"

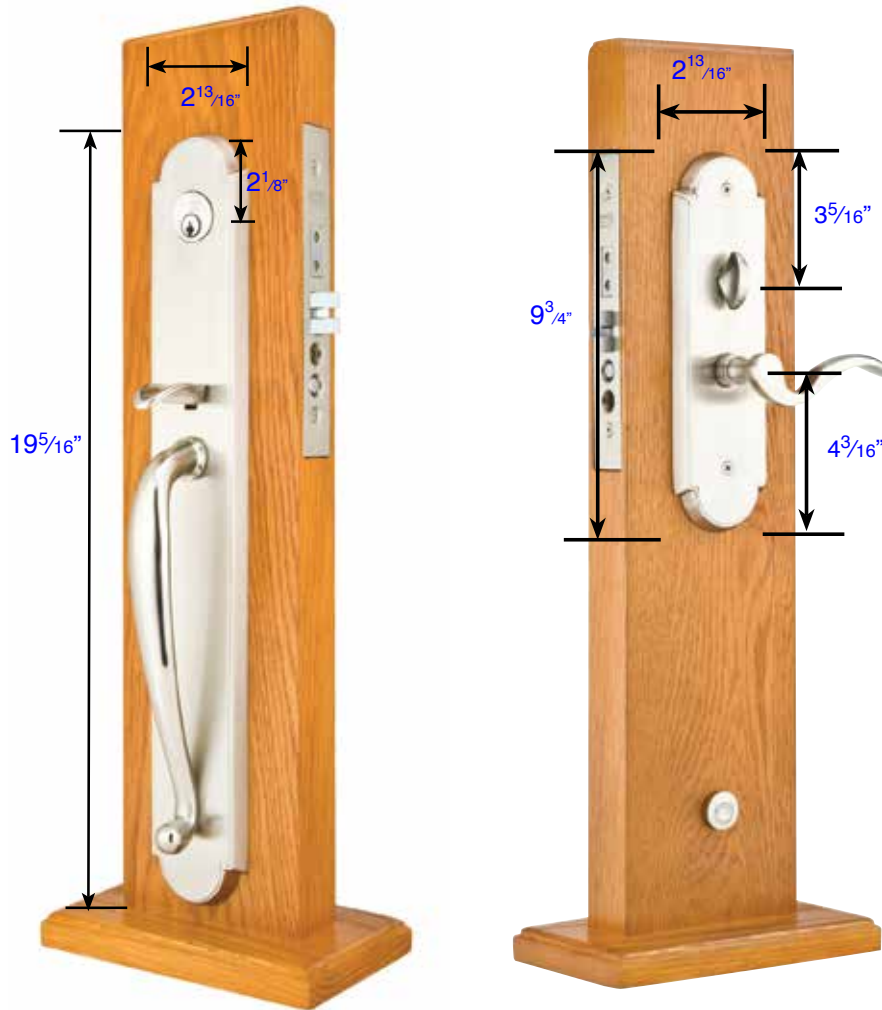
- Standard Components:
- 1 3/8" Threaded Cylinder
 - 2" Long Spindle
 - 2" Top Rosette Screw
 - 1 1/2" Bottom Rosette Screw
 - Thumbpress
 - Strikeplate

Extended Door Thickness: 1 7/8" - 2 1/4"

- Extended Components:
- 1 1/2" Threaded Cylinder
 - 2" Long Spindle
 - 2 1/2" Top Rosette Screw
 - 2" Bottom Rosette Screw
 - Thumbpress
 - Strikeplate

Extended Door Thickness: 2 3/8" - 2 3/4"

- Extended Components:
- 1 3/4" Threaded Cylinder
 - 2 1/2" Long Spindle
 - 2 1/2" Top Rosette Screw
 - 2" Bottom Rosette Screw
 - Extended Thumbpress
 - Extended Strikeplate



Albany Trim Style
Part # 3350

Additional Dimensions: (Part# 3350)

- Exterior Projection is 2 3/4"
- Interior Projection Depends on Handle Style
- Overall Grip thickness: 1 1/4"
- Clearance between door & grip is 2"
- Plates thickness: 1/2"

Same dimensions for dummy function

Door Thickness Specifications

Standard Door Thickness: 1 3/4"

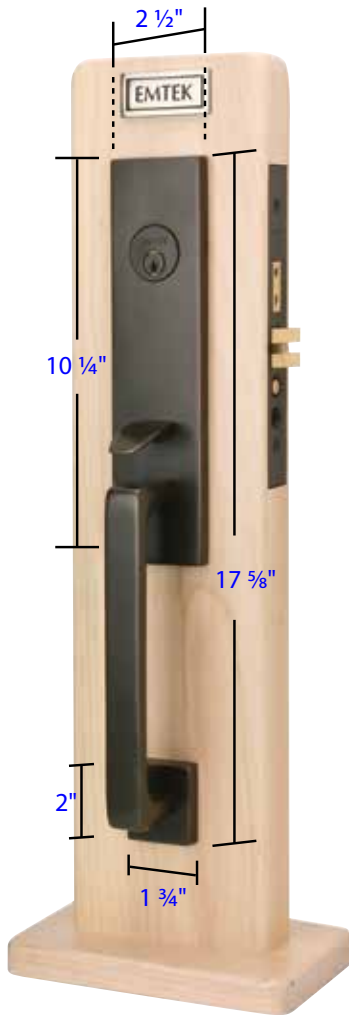
- Standard Components:
- 1 3/8" Threaded Cylinder
 - 2" Long Spindle
 - 2" Top Rosette Screw
 - 1 1/2" Bottom Rosette Screw
 - Thumbpress
 - Strikeplate

Extended Door Thickness: 1 7/8" - 2 1/4"

- Extended Components:
- 1 1/2" Threaded Cylinder
 - 2" Long Spindle
 - 2 1/2" Top Rosette Screw
 - 2" Bottom Rosette Screw
 - Thumbpress
 - Strikeplate

Extended Door Thickness: 2 3/8" - 2 3/4"

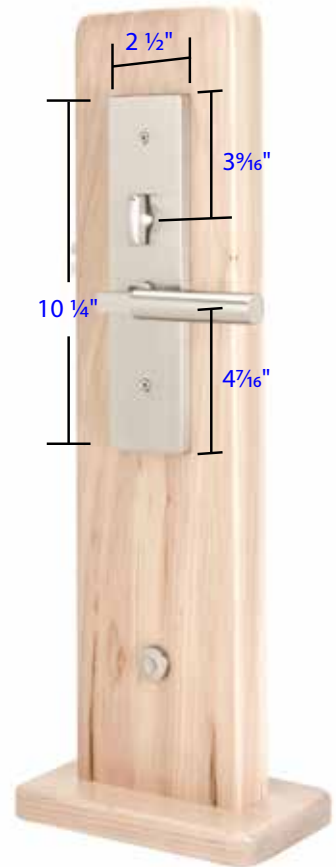
- Extended Components:
- 1 3/4" Threaded Cylinder
 - 2 1/4" Long Spindle
 - 2 1/2" Top Rosette Screw
 - 2" Bottom Rosette Screw
 - Extended Thumbpress
 - Extended Strikeplate



Mormont Trim Style
Part # 3347



Lugano Trim Style
Part # 3348



Standard interior trim
Part # 3347/3348

Additional Dimensions: (Part# 3347/3348)

- Exterior Projection is 2 1/2"
- Interior Projection Depends on Handle Style
- Overall Grip thickness: 1"
- Clearance between door & grip is 1 1/2" - 1 7/8"
- Plates thickness: 1/2"

Same dimensions for dummy function

Door Thickness Specifications

Standard Door Thickness: 1 3/4"

- Standard Components:
- 1 3/8" Threaded Cylinder
 - 2" Long Spindle
 - 2" Top Rosette Screw
 - 1 1/2" Bottom Rosette Screw
 - Thumbpress
 - Strikeplate

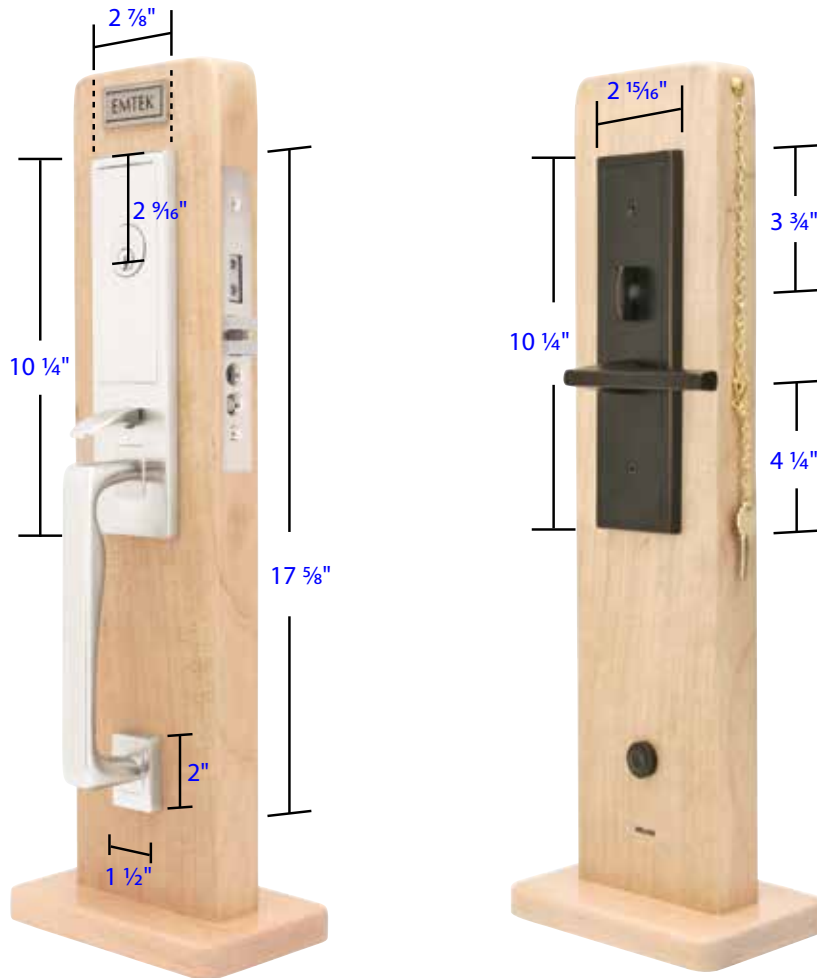
Extended Door Thickness: 1 7/8" - 2 1/4"

- Extended Components:
- 1 1/2" Threaded Cylinder
 - 2" Long Spindle
 - 2 1/2" Top Rosette Screw
 - 2" Bottom Rosette Screw
 - Thumbpress
 - Strikeplate

Extended Door Thickness: 2 3/8" - 2 3/4"

- Extended Components:
- 1 3/4" Threaded Cylinder
 - 2 1/4" Long Spindle
 - 2 1/2" Top Rosette Screw
 - 2" Bottom Rosette Screw
 - Extended Thumbpress
 - Extended Strikeplate

Entrance Handlesets - Brass Zeus Mortise



Zeus Trim Style
Part # 3346

Additional Dimensions: (Part# 3346)

- Exterior Projection is 2 1/2"
- Interior Projection Depends on Handle Style
- Overall Grip thickness: 1"
- Clearance between door & grip is 1 1/2" - 1 7/8"
- Plates thickness: 1/2"

Same dimensions for dummy function

Door Thickness Specifications

Standard Door Thickness: 1 3/4"

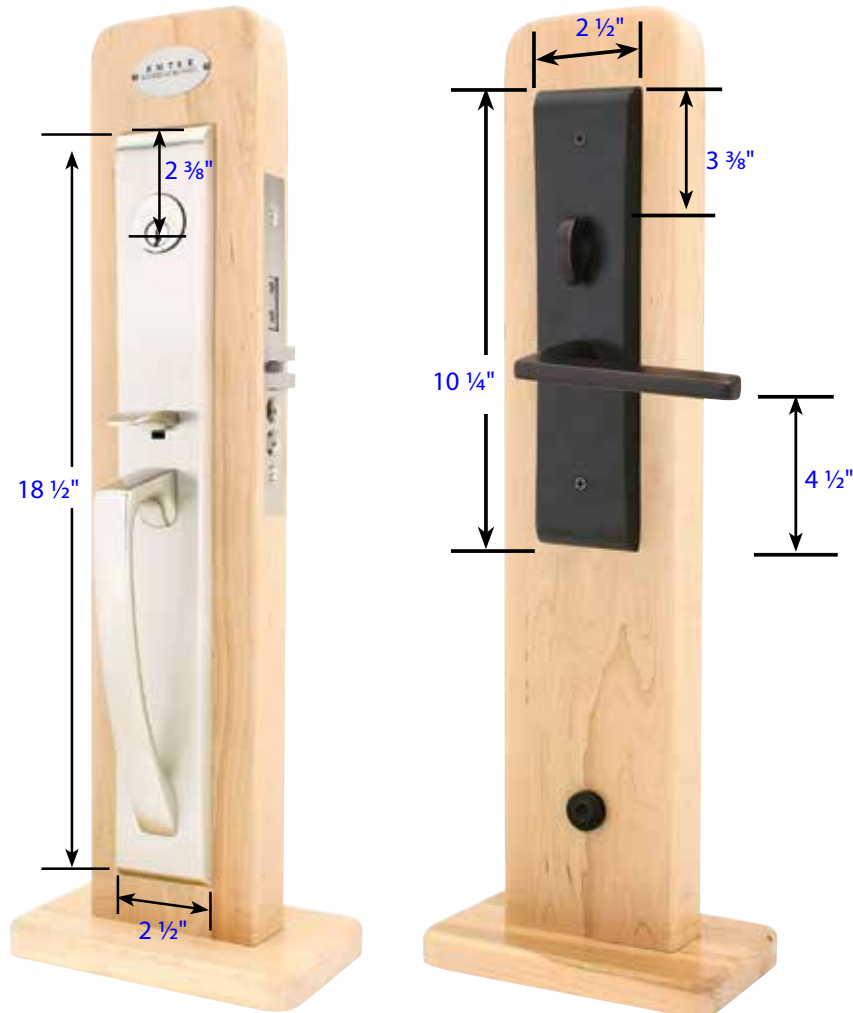
- Standard Components:
- 1 3/8" Threaded Cylinder
 - 2" Long Spindle
 - 2" Top Rosette Screw
 - 1 1/2" Bottom Rosette Screw
 - Thumbpress
 - Strikeplate

Extended Door Thickness: 1 7/8" - 2 1/4"

- Extended Components:
- 1 1/2" Threaded Cylinder
 - 2" Long Spindle
 - 2 1/2" Top Rosette Screw
 - 2" Bottom Rosette Screw
 - Thumbpress
 - Strikeplate

Extended Door Thickness: 2 3/8" - 2 3/4"

- Extended Components:
- 1 3/4" Threaded Cylinder
 - 2 1/4" Long Spindle
 - 2 1/2" Top Rosette Screw
 - 2" Bottom Rosette Screw
 - Extended Thumbpress
 - Extended Strikeplate



Hera Trim Style
Part # 3345

Additional Dimensions: (Part# 3345)

- Exterior Projection is 2 3/4"
- Interior Projection Depends on Handle Style
- Overall Grip thickness: 1"
- Clearance between door & grip is 2 1/4"
- Plates thickness: 1/2"

Same dimensions for dummy function

Door Thickness Specifications

Standard Door Thickness: 1 3/4"

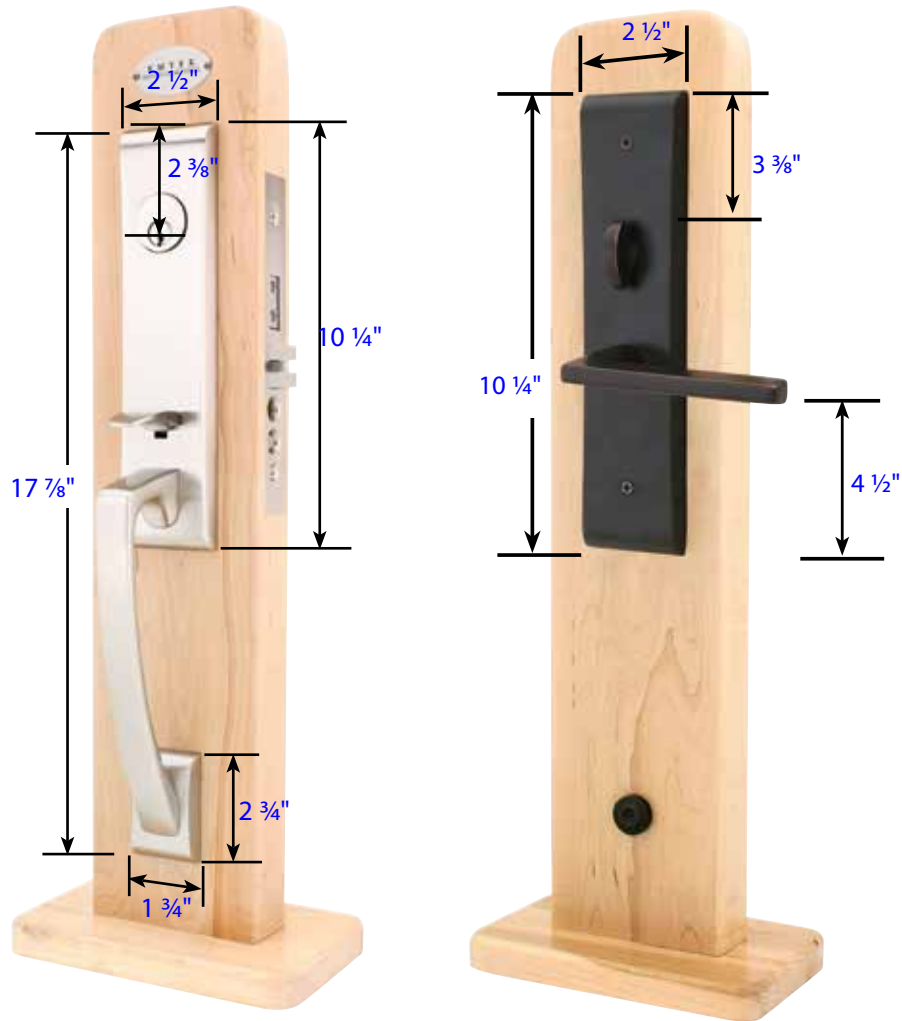
- Standard Components:
- 1 3/8" Threaded Cylinder
 - 2" Long Spindle
 - 2" Top Rosette Screw
 - 1 1/2" Bottom Rosette Screw
 - Thumbpress
 - Strikeplate

Extended Door Thickness: 1 7/8" - 2 1/4"

- Extended Components:
- 1 1/2" Threaded Cylinder
 - 2" Long Spindle
 - 2 1/2" Top Rosette Screw
 - 2" Bottom Rosette Screw
 - Thumbpress
 - Strikeplate

Extended Door Thickness: 2 3/8" - 2 3/4"

- Extended Components:
- 1 3/4" Threaded Cylinder
 - 2 1/4" Long Spindle
 - 2 1/2" Top Rosette Screw
 - 2" Bottom Rosette Screw
 - Extended Thumbpress
 - Extended Strikeplate



Artemis Trim Style
Part # 3344

Additional Dimensions: (Part# 3344)

- Exterior Projection is 2 3/4"
- Interior Projection Depends on Handle Style
- Overall Grip thickness: 1"
- Clearance between door & grip is 2 1/4"
- Plates thickness: 1/2"

Same dimensions for dummy function

Door Thickness Specifications

Standard Door Thickness: 1 3/4"

- Standard Components:
- 1 3/8" Threaded Cylinder
 - 2" Long Spindle
 - 2" Top Rosette Screw
 - 1 1/2" Bottom Rosette Screw
 - Thumbpress
 - Strikeplate

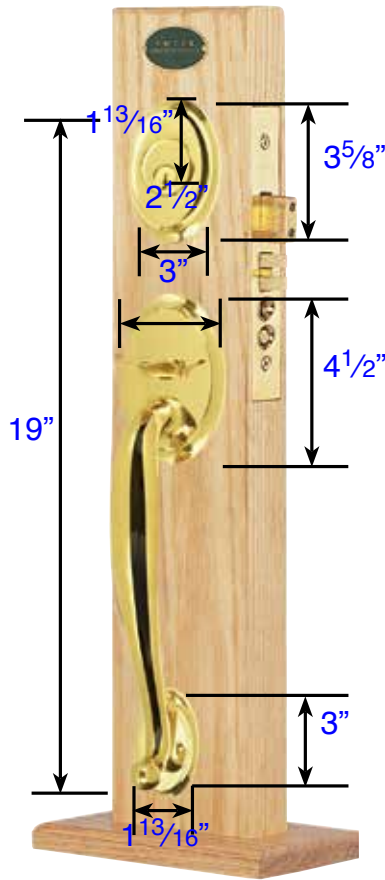
Extended Door Thickness: 1 7/8" - 2 1/4"

- Extended Components:
- 1 1/2" Threaded Cylinder
 - 2" Long Spindle
 - 2 1/2" Top Rosette Screw
 - 2" Bottom Rosette Screw
 - Thumbpress
 - Strikeplate

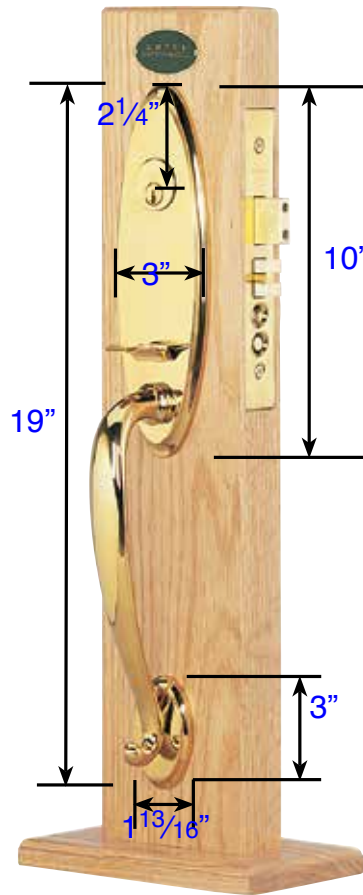
Extended Door Thickness: 2 3/8" - 2 3/4"

- Extended Components:
- 1 3/4" Threaded Cylinder
 - 2 1/4" Long Spindle
 - 2 1/2" Top Rosette Screw
 - 2" Bottom Rosette Screw
 - Extended Thumbpress
 - Extended Strikeplate

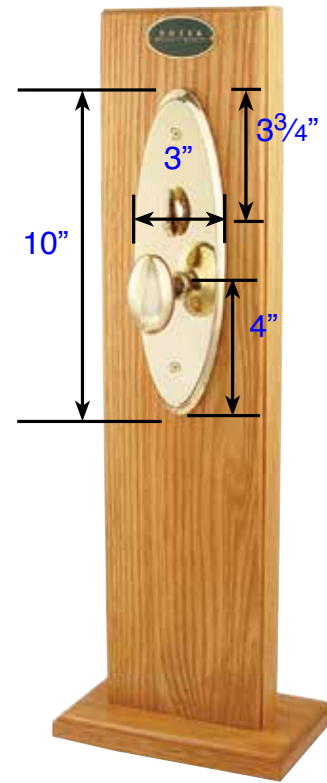
Entrance Handlesets - Brass Salem & Memphis Mortise



Salem Trim Style
Part # 3301



Memphis Trim Style
Part # 3302



Standard interior trim
Part # 3301/3302*

Additional Dimensions: (Part # 3301 & 3302)

- Exterior Projection is 2 3/4"
- Interior Projection Depends on Handle Style
- Overall Grip thickness: 1 1/4"
- Clearance between door & grip is 2"
- Plates thickness: 1/2"

Same dimensions for dummy function

*** Available in Lever By Lever/ Knob by Knob Mortise Entrance Handlesets. Same dimensions as interior trim of standard mortise entrance handlesets.**

Door Thickness Specifications

Standard Door Thickness: 1 3/4"

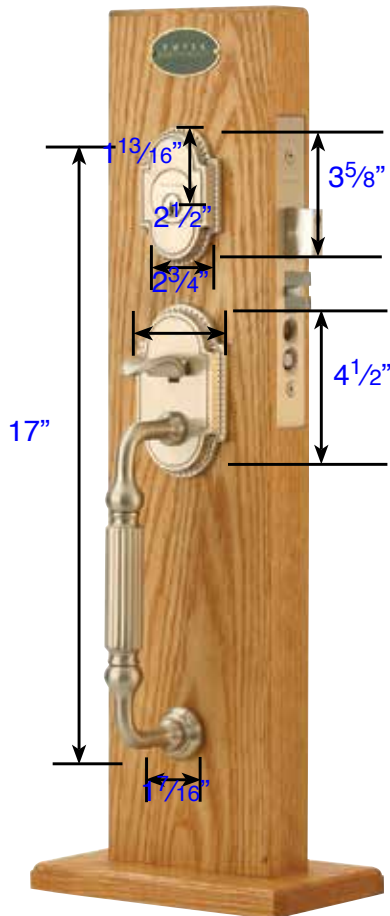
- Standard Components:
- 1 3/8" Threaded Cylinder
 - 2" Long Spindle
 - 2" Top Rosette Screw
 - 1 1/2" Bottom Rosette Screw
 - Thumbpress
 - Strikeplate

Extended Door Thickness: 1 7/8" - 2 1/4"

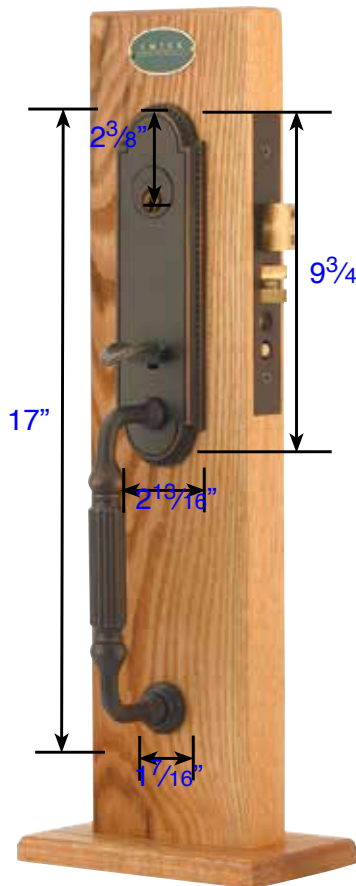
- Extended Components:
- 1 1/2" Threaded Cylinder
 - 2" Long Spindle
 - 2 1/2" Top Rosette Screw
 - 2" Bottom Rosette Screw
 - Thumbpress
 - Strikeplate

Extended Door Thickness: 2 3/8" - 2 3/4"

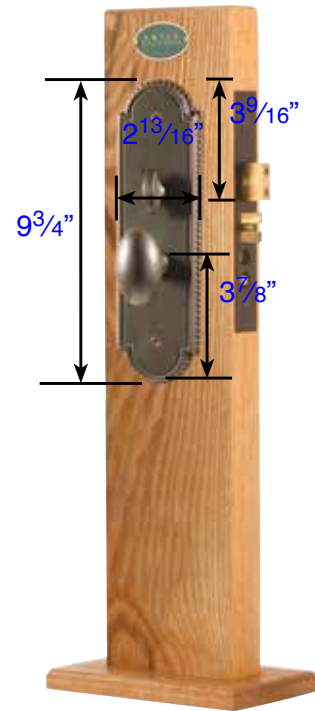
- Extended Components:
- 1 3/4" Threaded Cylinder
 - 2 1/4" Long Spindle
 - 2 1/2" Top Rosette Screw
 - 2" Bottom Rosette Screw
 - Extended Thumbpress
 - Extended Strikeplate



Jackson Trim Style
Part # 3303



Hamilton Trim Style
Part #3304



Standard interior trim
Part # 3303/3304*

Additional Dimensions: (Part # 3303 & 3304)

- Exterior Projection is 2 7/8"
- Interior Projection Depends on Handle Style
- Overall Grip thickness: 1 1/4"
- Clearance between door & grip is 1 1/2"
- Plates thickness: 1/2"

Same dimensions for dummy function

*** Available in Lever By Lever/ Knob by Knob Mortise Entrance Handlesets. Same dimensions as interior trim of standard mortise entrance handlesets.**

Door Thickness Specifications

Standard Door Thickness: 1 3/4"

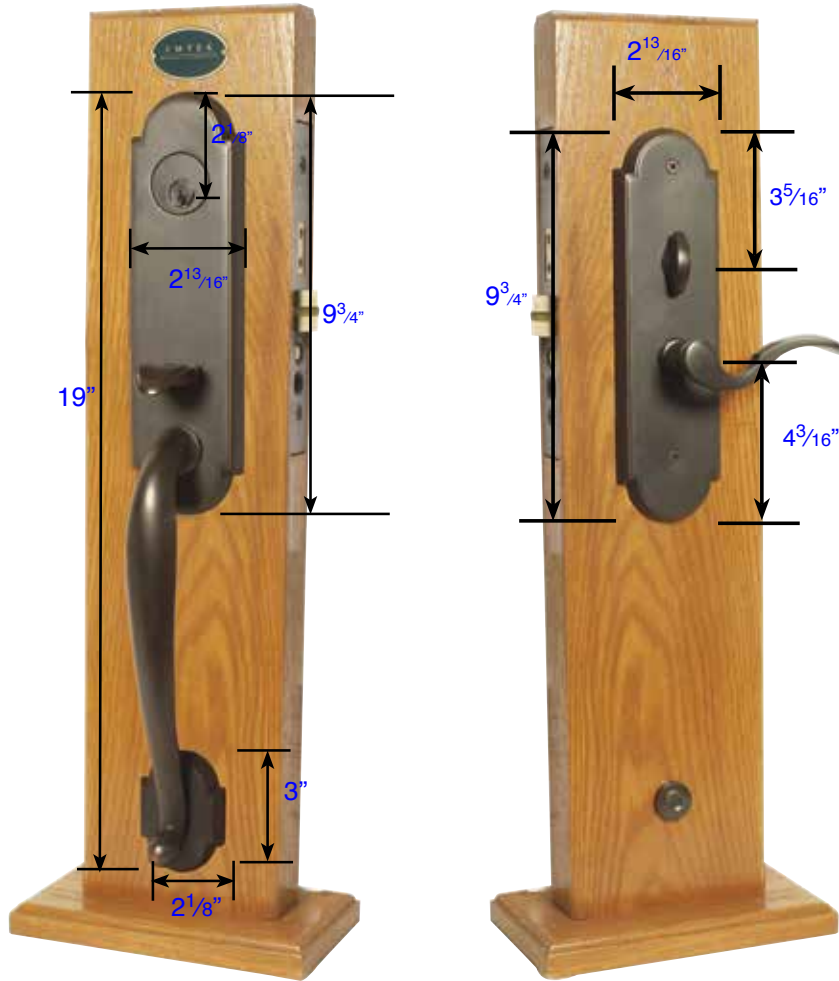
- Standard Components:
- 1 3/8" Threaded Cylinder
 - 2" Long Spindle
 - 2" Top Rosette Screw
 - 1 1/2" Bottom Rosette Screw
 - Thumbpress
 - Strikeplate

Extended Door Thickness: 1 7/8" - 2 1/4"

- Extended Components:
- 1 1/2" Threaded Cylinder
 - 2" Long Spindle
 - 2 1/2" Top Rosette Screw
 - 2" Bottom Rosette Screw
 - Thumbpress
 - Strikeplate

Extended Door Thickness: 2 3/8" - 2 3/4"

- Extended Components:
- 1 3/4" Threaded Cylinder
 - 2 1/4" Long Spindle
 - 2 1/2" Top Rosette Screw
 - 2" Bottom Rosette Screw
 - Extended Thumbpress
 - Extended Strikeplate



Charleston Trim Style
Part # 3343

Additional Dimensions: (Part# 3343)

- Exterior Projection is 2 3/4"
- Interior Projection Depends on Handle Style
- Overall Grip thickness: 1 1/4"
- Clearance between door & grip is 2"
- Plates thickness: 1/2"

Same dimensions for dummy function

Door Thickness Specifications

Standard Door Thickness: 1 3/4"

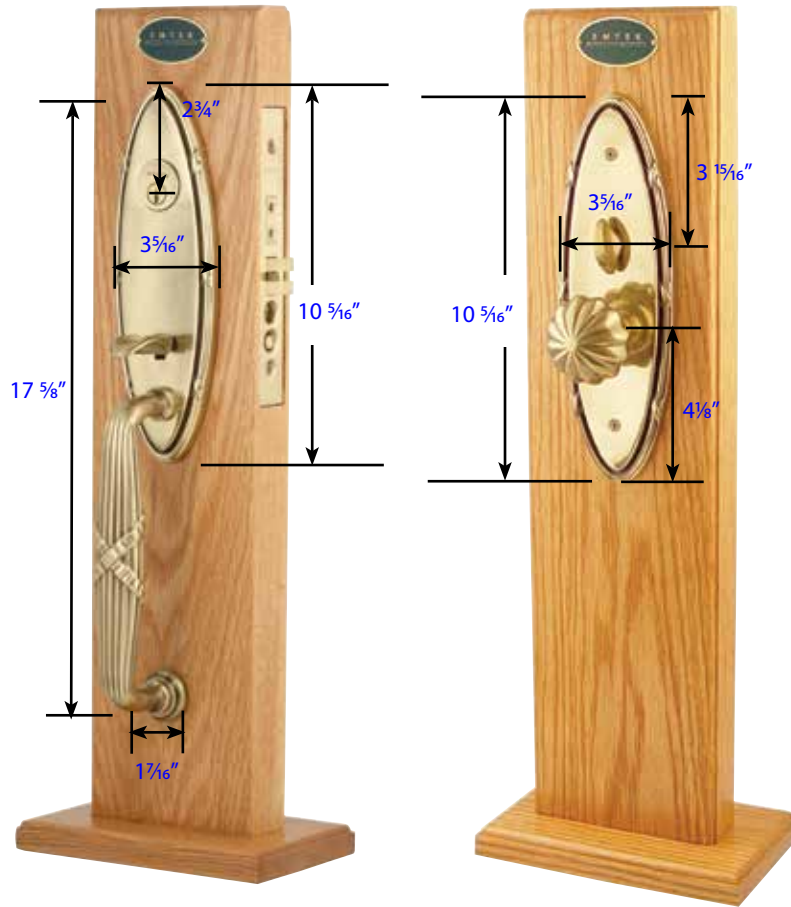
- Standard Components:
- 1 3/8" Threaded Cylinder
 - 2" Long Spindle
 - 2" Top Rosette Screw
 - 1 1/2" Bottom Rosette Screw
 - Thumbpress
 - Strikeplate

Extended Door Thickness: 1 7/8" - 2 1/4"

- Extended Components:
- 1 1/2" Threaded Cylinder
 - 2" Long Spindle
 - 2 1/2" Top Rosette Screw
 - 2" Bottom Rosette Screw
 - Thumbpress
 - Strikeplate

Extended Door Thickness: 2 3/8" - 2 3/4"

- Extended Components:
- 1 3/4" Threaded Cylinder
 - 2 1/4" Long Spindle
 - 2 1/2" Top Rosette Screw
 - 2" Bottom Rosette Screw
 - Extended Thumbpress
 - Extended Strikeplate



Oval Ribbon & Reed Mortise Trim
Part #3342

Standard interior trim
Part #3342*

Additional Dimensions: (Part # 3342)

- Exterior Projection is $2\frac{3}{4}$ "
- Interior Projection Depends on Handle Style
- Overall Grip thickness: $1\frac{3}{8}$ "
- Clearance between door & grip is $1\frac{9}{16}$ "
- Plates thickness: $\frac{1}{2}$ "

Same dimensions for dummy function

*** Available in Lever By Lever/ Knob by Knob Mortise Entrance Handlesets. Same dimensions as interior trim of standard mortise entrance handlesets.**

Door Thickness Specifications

Standard Door Thickness: $1\frac{3}{4}$ "

- Standard Components:
- $1\frac{3}{8}$ " Threaded Cylinder
 - 2" Long Spindle
 - 2" Top Rosette Screw
 - $1\frac{1}{2}$ " Bottom Rosette Screw
 - Thumbpress
 - Strikeplate

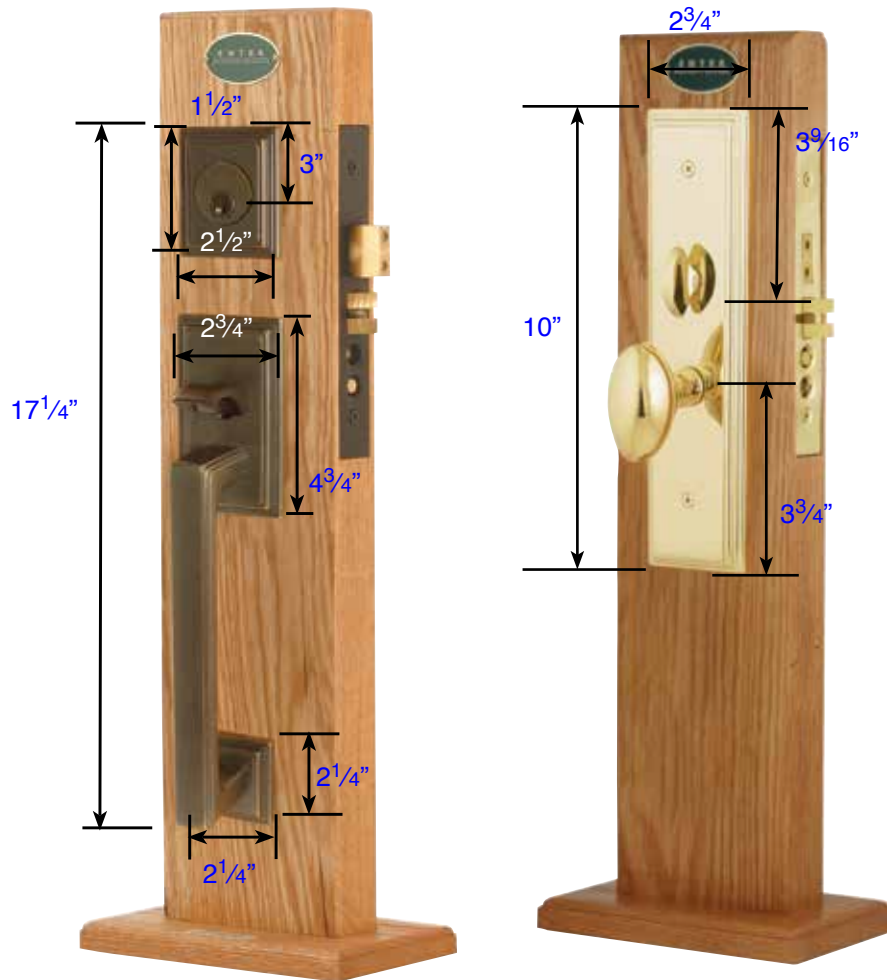
Extended Door Thickness: $1\frac{7}{8}$ " - $2\frac{1}{4}$ "

- Extended Components:
- $1\frac{1}{2}$ " Threaded Cylinder
 - 2" Long Spindle
 - $2\frac{1}{2}$ " Top Rosette Screw
 - 2" Bottom Rosette Screw
 - Thumbpress
 - Strikeplate

Extended Door Thickness: $2\frac{3}{8}$ " - $2\frac{3}{4}$ "

- Extended Components:
- $1\frac{3}{4}$ " Threaded Cylinder
 - $2\frac{1}{4}$ " Long Spindle
 - $2\frac{1}{2}$ " Top Rosette Screw
 - 2" Bottom Rosette Screw
 - Extended Thumbpress
 - Extended Strikeplate

Entrance Handlesets - Brass Mills Mortise



Mills Trim
Part #3310

Standard interior trim
Part #3310*

Additional Dimensions: (Part # 3310)

- Exterior Projection is 2⁵/₈"
- Interior Projection Depends on Handle Style
- Overall Grip thickness: 1"
- Clearance between door & grip is 1³/₈"
- Plates thickness: 1/2"

Same dimensions for dummy function

*** Available in Lever By Lever/ Knob by Knob Mortise Entrance Handlesets. Same dimensions as interior trim of standard mortise entrance handlesets.**

Door Thickness Specifications

Standard Door Thickness: 1 3/4"

- Standard Components:
- 1 3/8" Threaded Cylinder
 - 2" Long Spindle
 - 2" Top Rosette Screw
 - 1 1/2" Bottom Rosette Screw
 - Thumbpress
 - Strikeplate

Extended Door Thickness: 1 7/8" - 2 1/4"

- Extended Components:
- 1 1/2" Threaded Cylinder
 - 2" Long Spindle
 - 2 1/2" Top Rosette Screw
 - 2" Bottom Rosette Screw
 - Thumbpress
 - Strikeplate

Extended Door Thickness: 2 3/8" - 2 3/4"

- Extended Components:
- 1 3/4" Threaded Cylinder
 - 2 1/4" Long Spindle
 - 2 1/2" Top Rosette Screw
 - 2" Bottom Rosette Screw
 - Extended Thumbpress
 - Extended Strikeplate



Manhattan Trim Style
Part # 3306

Melrose Mortise Trim Style
Part # 3305

Standard interior trim
Part # 3306/3305*

Additional Dimensions: (Part # 3306 & 3305)

- Exterior Projection is 2⁵/₈"
- Interior Projection Depends on Handle Style
- Overall Grip thickness: 1"
- Clearance between door & grip is 1³/₈"
- Plates thickness: 1/2"

Same dimensions for dummy function

*** Available in Lever By Lever/ Knob by Knob Mortise Entrance Handlesets. Same dimensions as interior trim of standard mortise entrance handlesets.**

Door Thickness Specifications

Standard Door Thickness: 1 3/4"

- Standard Components:
- 1 3/8" Threaded Cylinder
 - 2" Long Spindle
 - 2" Top Rosette Screw
 - 1 1/2" Bottom Rosette Screw
 - Thumbpress
 - Strikeplate

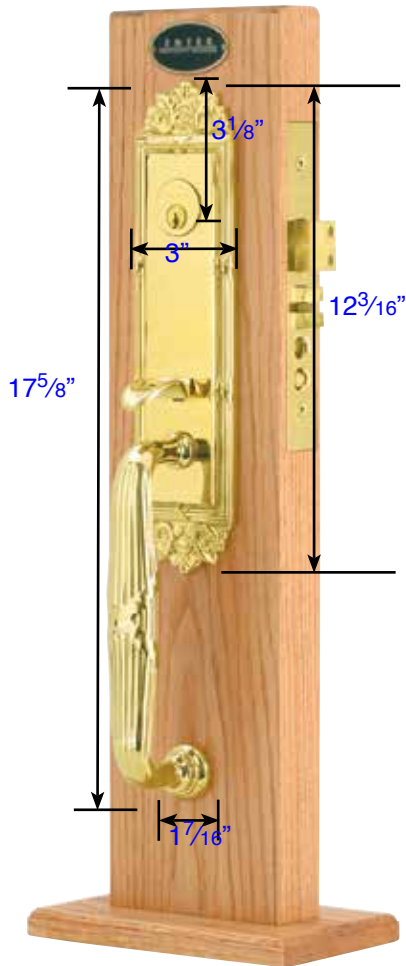
Extended Door Thickness: 1 7/8" - 2 1/4"

- Extended Components:
- 1 1/2" Threaded Cylinder
 - 2" Long Spindle
 - 2 1/2" Top Rosette Screw
 - 2" Bottom Rosette Screw
 - Thumbpress
 - Strikeplate

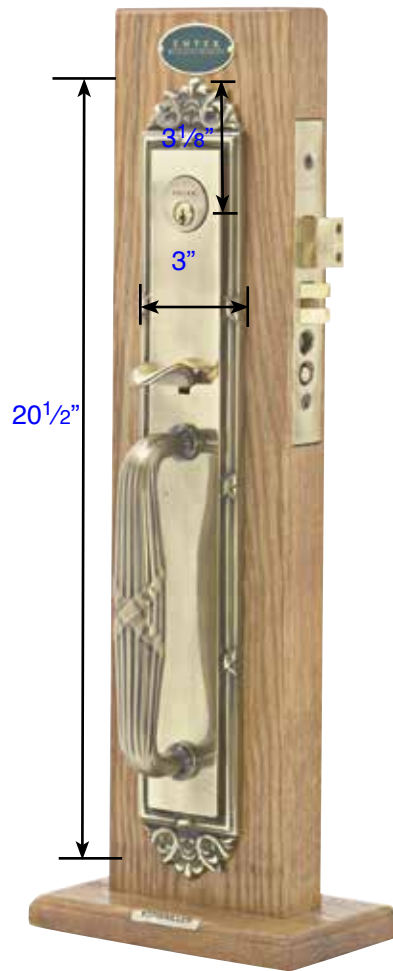
Extended Door Thickness: 2 3/8" - 2 3/4"

- Extended Components:
- 1 3/4" Threaded Cylinder
 - 2 1/4" Long Spindle
 - 2 1/2" Top Rosette Screw
 - 2" Bottom Rosette Screw
 - Extended Thumbpress
 - Extended Strikeplate

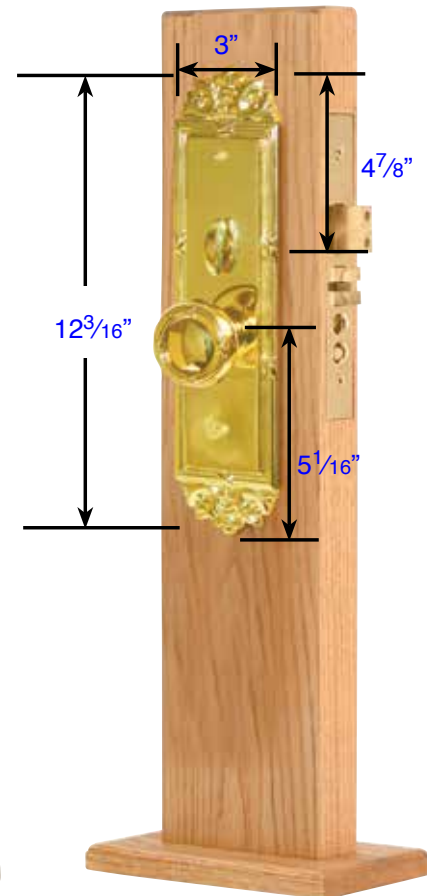
Entrance Handlesets - Brass Regency & Versailles Mortise



Regency Trim Style
Part # 3307



Versailles Trim Style
Part # 3309



Standard interior trim
Part # 3307/3309*

Additional Dimensions: (Part # 3307 & 3309)

- Exterior Projection is 2³/₄"
- Interior Projection Depends on Handle Style
- Overall Grip thickness: 1³/₈"
- Clearance between door & grip is 1⁹/₁₆"
- Plates thickness: 1/2"

Same dimensions for dummy function

*** Available in Lever By Lever/ Knob by Knob Mortise Entrance Handlesets. Same dimensions as interior trim of standard mortise entrance handlesets.**

Door Thickness Specifications

Standard Door Thickness: 1 3/4"

Standard Components:

- 1 3/8" Threaded Cylinder
- 2" Long Spindle
- 2" Top Rosette Screw
- 1 1/2" Bottom Rosette Screw
- Thumbpress
- Strikeplate

Extended Door Thickness: 1 7/8" - 2 1/4"

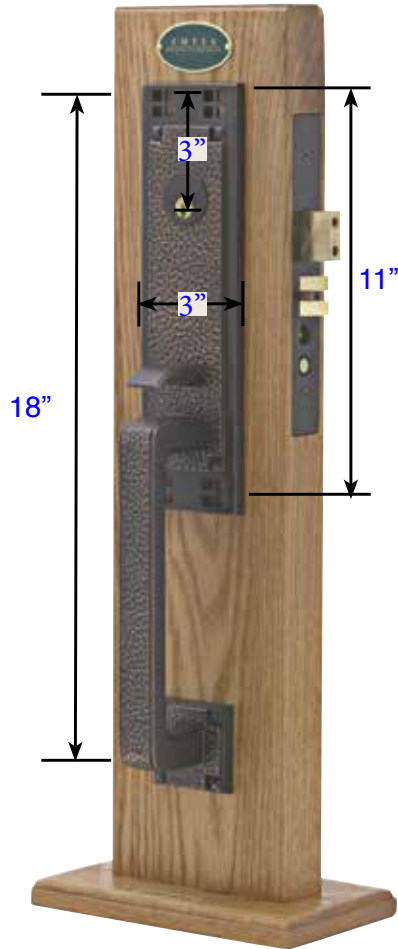
Extended Components:

- 1 1/2" Threaded Cylinder
- 2" Long Spindle
- 2 1/2" Top Rosette Screw
- 2" Bottom Rosette Screw
- Thumbpress
- Strikeplate

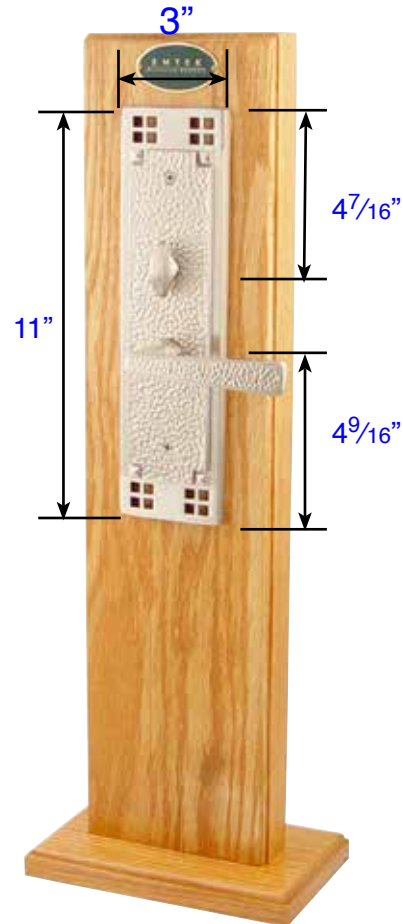
Extended Door Thickness: 2 3/8" - 2 3/4"

Extended Components:

- 1 3/4" Threaded Cylinder
- 2 1/4" Long Spindle
- 2 1/2" Top Rosette Screw
- 2" Bottom Rosette Screw
- Extended Thumbpress
- Extended Strikeplate



Craftsman Trim Style
Part # 3308



Standard Interior Trim
Part # 3308*

Additional Dimensions: (Part # 3308)

- Exterior Projection is 2⁵/₈"
- Interior Projection Depends on Handle Style
- Overall Grip thickness: 1¹/₈"
- Clearance between door & grip is 1³/₈"
- Plates thickness: 1/2"

Same dimensions for dummy function

*** Available in Lever By Lever/ Knob by Knob Mortise Entrance Handlesets. Same dimensions as interior trim of standard mortise entrance handlesets.**

Door Thickness Specifications

Standard Door Thickness: 1 3/4"

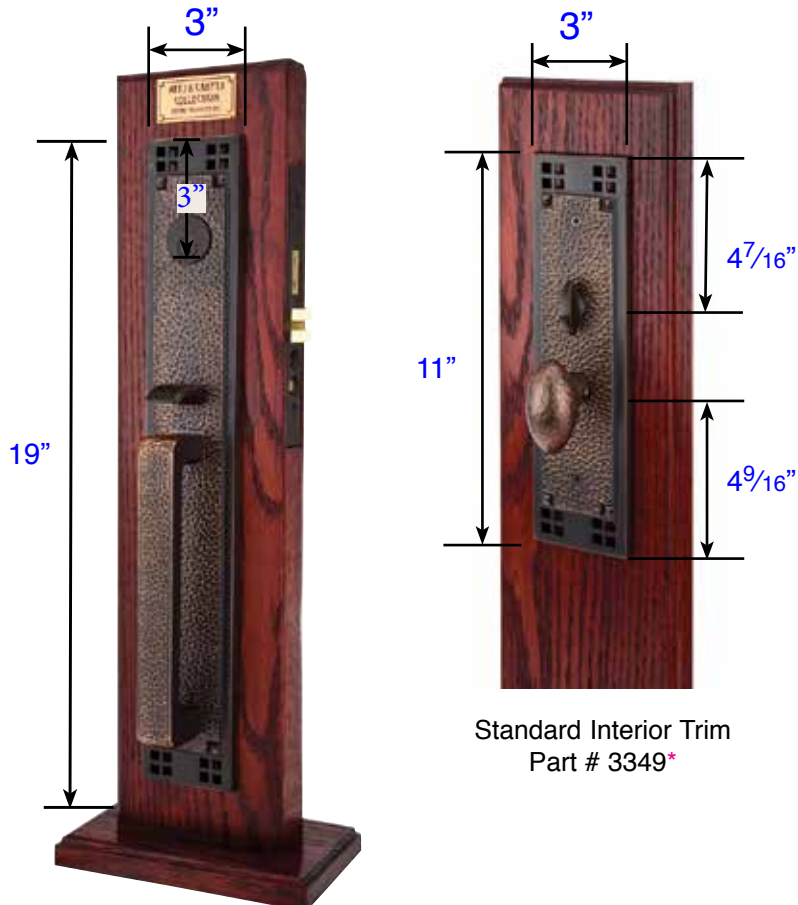
- Standard Components:
- 1 3/8" Threaded Cylinder
 - 2" Long Spindle
 - 2" Top Rosette Screw
 - 1 1/2" Bottom Rosette Screw
 - Thumbpress
 - Strikeplate

Extended Door Thickness: 1 7/8" - 2 1/4"

- Extended Components:
- 1 1/2" Threaded Cylinder
 - 2" Long Spindle
 - 2 1/2" Top Rosette Screw
 - 2" Bottom Rosette Screw
 - Thumbpress
 - Strikeplate

Extended Door Thickness: 2 3/8" - 2 3/4"

- Extended Components:
- 1 3/4" Threaded Cylinder
 - 2 1/4" Long Spindle
 - 2 1/2" Top Rosette Screw
 - 2" Bottom Rosette Screw
 - Extended Thumbpress
 - Extended Strikeplate



Craftsman Full Length Trim Style
Part # 3349

Standard Interior Trim
Part # 3349*

Additional Dimensions: (Part # 3349)

- Exterior Projection is $2\frac{5}{8}$ "
- Interior Projection Depends on Handle Style
- Overall Grip thickness: $1\frac{1}{8}$ "
- Clearance between door & grip is $1\frac{3}{8}$ "
- Plates thickness: $\frac{1}{2}$ "

Same dimensions for dummy function

*** Available in Lever By Lever/ Knob by Knob Mortise Entrance Handlesets. Same dimensions as interior trim of standard mortise entrance handlesets.**

Door Thickness Specifications

Standard Door Thickness: $1\frac{3}{4}$ "

- Standard Components:
- $1\frac{3}{8}$ " Threaded Cylinder
 - 2" Long Spindle
 - 2" Top Rosette Screw
 - $1\frac{1}{2}$ " Bottom Rosette Screw
 - Thumbpress
 - Strikeplate

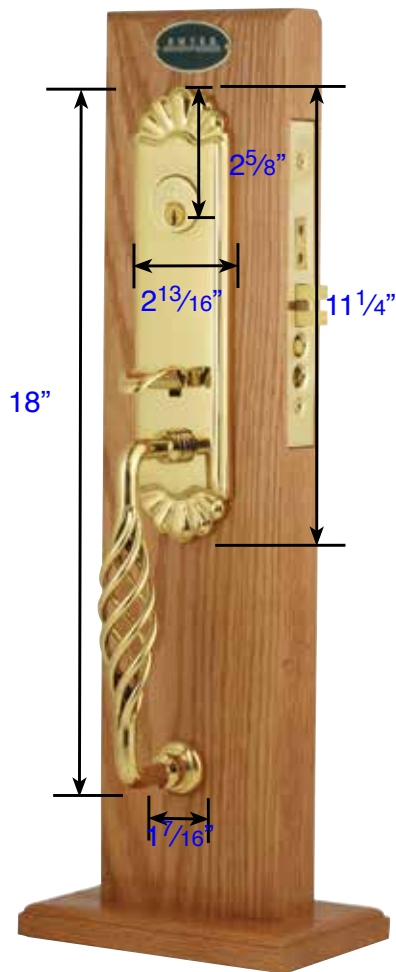
Extended Door Thickness: $1\frac{7}{8}$ " - $2\frac{1}{4}$ "

- Extended Components:
- $1\frac{1}{2}$ " Threaded Cylinder
 - 2" Long Spindle
 - $2\frac{1}{2}$ " Top Rosette Screw
 - 2" Bottom Rosette Screw
 - Thumbpress
 - Strikeplate

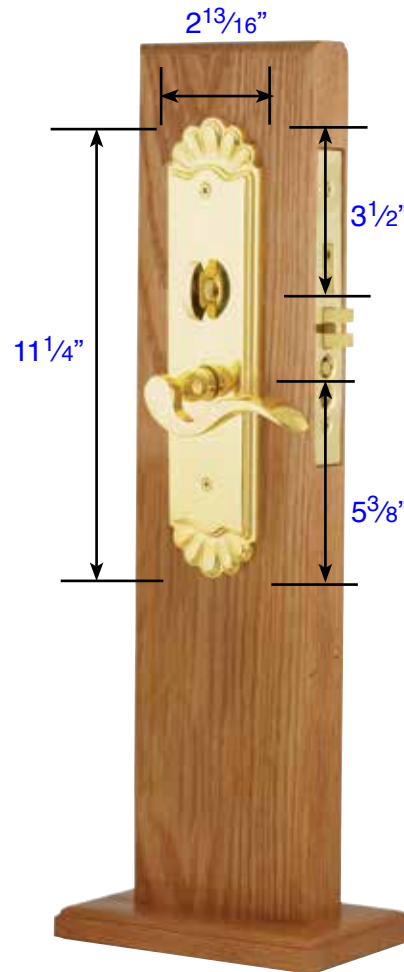
Extended Door Thickness: $2\frac{3}{8}$ " - $2\frac{3}{4}$ "

- Extended Components:
- $1\frac{3}{4}$ " Threaded Cylinder
 - $2\frac{1}{4}$ " Long Spindle
 - $2\frac{1}{2}$ " Top Rosette Screw
 - 2" Bottom Rosette Screw
 - Extended Thumbpress
 - Extended Strikeplate

Entrance Handlesets - Brass Valley Forge Mortise



Valley Forge Mortise Trim Style
Part # 3341



Standard interior trim
Part # 3341*

Additional Dimensions: (Part # 3341)

- Exterior Projection is 3"
- Interior Projection Depends on Handle Style
- Overall Grip thickness: 1 7/16"
- Clearance between door & grip is 1 1/4"
- Plates thickness: 1/2"

Same dimensions for dummy function

*** Available in Lever By Lever/ Knob by Knob Mortise Entrance Handlesets. Same dimensions as interior trim of standard mortise entrance handlesets.**

Door Thickness Specifications

Standard Door Thickness: 1 3/4"

- Standard Components:
- 1 3/8" Threaded Cylinder
 - 2" Long Spindle
 - 2" Top Rosette Screw
 - 1 1/2" Bottom Rosette Screw
 - Thumbpress
 - Strikeplate

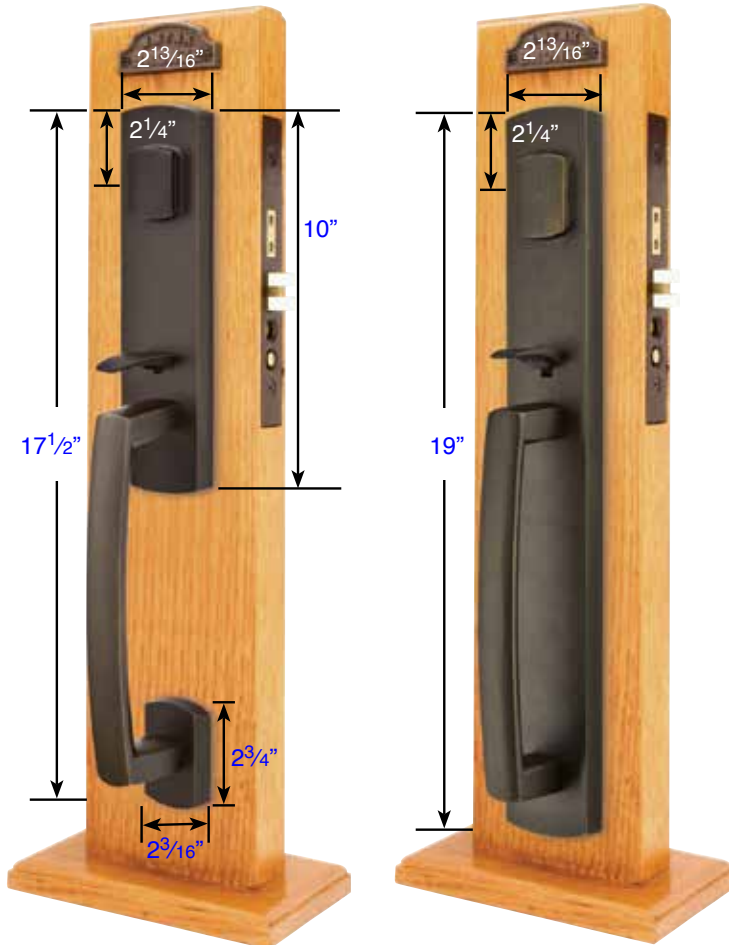
Extended Door Thickness: 1 7/8" - 2 1/4"

- Extended Components:
- 1 1/2" Threaded Cylinder
 - 2" Long Spindle
 - 2 1/2" Top Rosette Screw
 - 2" Bottom Rosette Screw
 - Thumbpress
 - Strikeplate

Extended Door Thickness: 2 3/8" - 2 3/4"

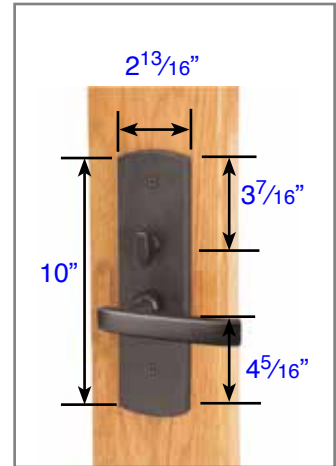
- Extended Components:
- 1 3/4" Threaded Cylinder
 - 2 1/4" Long Spindle
 - 2 1/2" Top Rosette Screw
 - 2" Bottom Rosette Screw
 - Extended Thumbpress
 - Extended Strikeplate

Entrance Handlesets - Sandcast Bronze Sonoma & Longmont Mortise



Sonoma Entryset
Part # 3329

Longmont Entryset
Part # 3330



Order any Sandcast Bronze knob or lever for the inside trim.

Standard with Mortise Locks

- 2 1/2" or 2 3/4" backsets
- Standard Mortise Door Prep ANSI A115.1
- Schlage C Keyway

Additional Dimensions: (Part # 3329 & 3330)

- Exterior Projection is 3 1/8"
- Interior Projection Depends on Handle Style
- Overall Grip thickness: 1 3/4"
- Clearance between door & grip is 1 3/4"
- Plates thickness: 1/2"

Same dimensions for dummy function

Door Thickness Specifications

Standard Door Thickness: 1 3/4"

Standard Components:

- 1 3/8" Threaded Cylinder
- 2" Long Spindle
- 2" Top Rosette Screw
- 1 1/2" Bottom Rosette Screw
- Thumbpress
- Strikeplate

Extended Door Thickness: 1 7/8" - 2 1/4"

Extended Components:

- 1 1/2" Threaded Cylinder
- 2" Long Spindle
- 2 1/2" Top Rosette Screw
- 2" Bottom Rosette Screw
- Thumbpress
- Strikeplate

Extended Door Thickness: 2 3/8" - 2 5/8"

Extended Components:

- 1 3/4" Threaded Cylinder
- 2 1/4" Long Spindle
- 2 1/2" Top Rosette Screw
- 2" Bottom Rosette Screw
- Extended Thumbpress
- Extended Strikeplate
- **2 3/4" TD Requires 2" Threaded Cylinder**



Morgan Entryset
Part # 3327

Rockford Entryset
Part # 3328

Standard interior trim
Part # 3327/3328

Additional Dimensions: (Part # 3327 & 3328)

- Exterior Projection is 3 1/8"
- Interior Projection Depends on Handle Style
- Overall Grip thickness: 1 3/4"
- Clearance between door & grip is 1 3/4"
- Plates thickness: 1/2"

Same dimensions for dummy function

Door Thickness Specifications

Standard Door Thickness: 1 3/4"

Standard Components:

- 1 3/8" Threaded Cylinder
- 2" Long Spindle
- 2" Top Rosette Screw
- 1 1/2" Bottom Rosette Screw
- Thumbpress
- Strikeplate

Extended Door Thickness: 1 7/8" - 2 1/4"

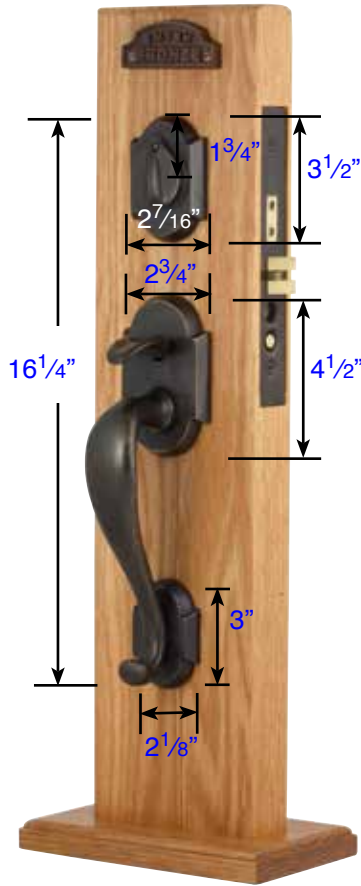
Extended Components:

- 1 1/2" Threaded Cylinder
- 2" Long Spindle
- 2 1/2" Top Rosette Screw
- 2" Bottom Rosette Screw
- Thumbpress
- Strikeplate

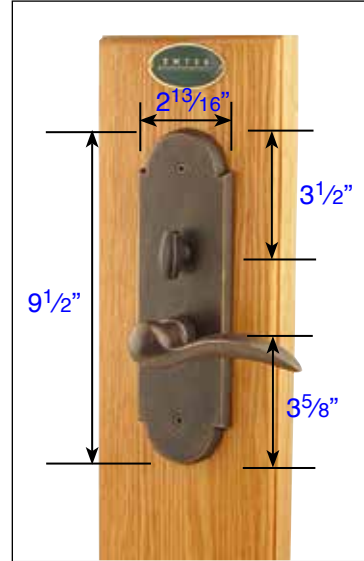
Extended Door Thickness: 2 3/8" - 2 5/8"

Extended Components:

- 1 3/4" Threaded Cylinder
- 2 1/4" Long Spindle
- 2 1/2" Top Rosette Screw
- 2" Bottom Rosette Screw
- Extended Thumbpress
- Extended Strikeplate
- **2 3/4" TD Requires 2" Threaded Cylinder**



Denver Mortise Entryset
Part # 3323



Standard interior trim
Part # 3323*

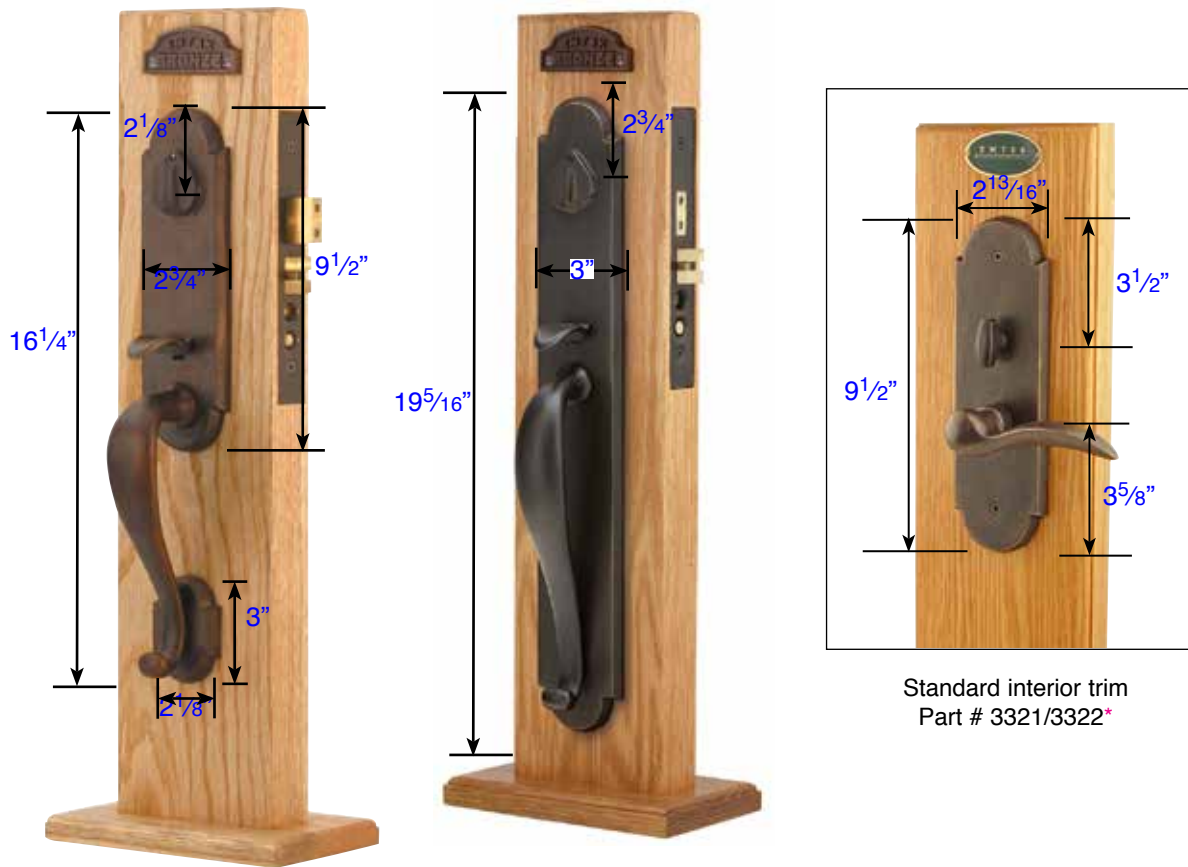
Additional Dimensions: (Part # 3323)

- Exterior Projection is 3"
- Interior Projection Depends on Handle Style
- Overall Grip thickness: 1"
- Clearance between door & grip is 1 1/2"
- Plates thickness: 1/2"

Same dimensions for dummy function

*** Available in Lever/ Knob by Knob Mortise Entrance Handlesets. Same dimensions as interior trim of standard mortise entrance handlesets.**

Door Thickness Specifications		
<p>Standard Door Thickness: 1 3/4"</p> <p>Standard Components:</p> <ul style="list-style-type: none"> • 1 3/8" Threaded Cylinder • 2" Long Spindle • 2" Top Rosette Screw • 1 1/2" Bottom Rosette Screw • Thumbpress • Strikeplate 	<p>Extended Door Thickness: 1 7/8" - 2 1/4"</p> <p>Extended Components:</p> <ul style="list-style-type: none"> • 1 1/2" Threaded Cylinder • 2" Long Spindle • 2 1/2" Top Rosette Screw • 2" Bottom Rosette Screw • Thumbpress • Strikeplate 	<p>Extended Door Thickness: 2 3/8" - 2 5/8"</p> <p>Extended Components:</p> <ul style="list-style-type: none"> • 1 3/4" Threaded Cylinder • 2 1/4" Long Spindle • 2 1/2" Top Rosette Screw • 2" Bottom Rosette Screw • Extended Thumbpress • Extended Strikeplate • 2 3/4" TD Requires 2" Threaded Cylinder



Cheyenne Entryset
Part # 3321

Topeka Entryset
Part # 3322

Standard interior trim
Part # 3321/3322*

Additional Dimensions: (Part # 3321 & 3322)

- Exterior Projection is 3 1/8"
- Interior Projection Depends on Handle Style
- Overall Grip thickness: 1 3/4"
- Clearance between door & grip is 1 3/4"
- Plates thickness: 1/2"

Same dimensions for dummy function

*** Available in Lever By Lever/ Knob by Knob Mortise Entrance Handlesets. Same dimensions as interior trim of standard mortise entrance handlesets.**

Door Thickness Specifications

Standard Door Thickness: 1 3/4"

Standard Components:

- 1 3/8" Threaded Cylinder
- 2" Long Spindle
- 2" Top Rosette Screw
- 1 1/2" Bottom Rosette Screw
- Thumbpress
- Strikeplate

Extended Door Thickness: 1 7/8" - 2 1/4"

Extended Components:

- 1 1/2" Threaded Cylinder
- 2" Long Spindle
- 2 1/2" Top Rosette Screw
- 2" Bottom Rosette Screw
- Thumbpress
- Strikeplate

Extended Door Thickness: 2 3/8" - 2 5/8"

Extended Components:

- 1 3/4" Threaded Cylinder
- 2 1/4" Long Spindle
- 2 1/2" Top Rosette Screw
- 2" Bottom Rosette Screw
- Extended Thumbpress
- Extended Strikeplate
- **2 3/4" TD Requires 2" Threaded Cylinder**



Rectangular Sectional Mortise
Part # 3324

Rectangular Monolithic Mortise
Part # 3325

Standard interior trim
Part # 3324/3325*

- Additional Dimensions: (Part # 3324, 3325)
- Exterior Projection is 31/8"
 - Interior Projection Depends on Handle Style
 - Overall Grip thickness: 13/4"
 - Clearance between door & grip is 13/4"
 - Plates thickness: 1/2"

Same dimensions for dummy function

*** Available in Lever By Lever/ Knob by Knob Mortise Entrance Handlesets. Same dimensions as interior trim of standard mortise entrance handlesets.**

Door Thickness Specifications

Standard Door Thickness: 1 3/4"

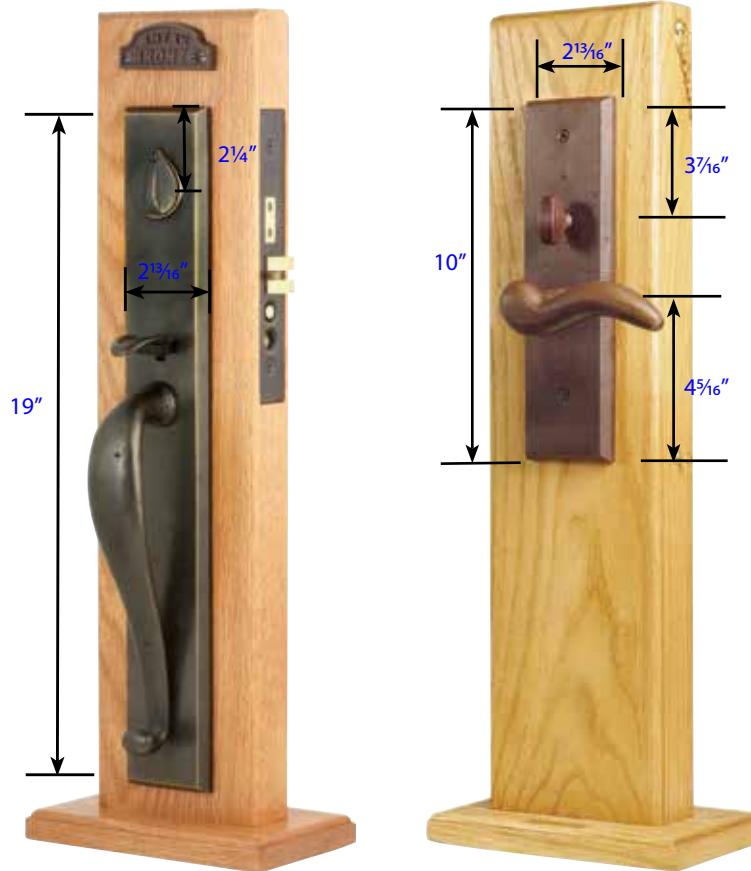
- Standard Components:
- 1 3/8" Threaded Cylinder
 - 2" Long Spindle
 - 2" Top Rosette Screw
 - 1 1/2" Bottom Rosette Screw
 - Thumbpress
 - Strikeplate

Extended Door Thickness: 1 7/8" - 2 1/4"

- Extended Components:
- 1 1/2" Threaded Cylinder
 - 2" Long Spindle
 - 2 1/2" Top Rosette Screw
 - 2" Bottom Rosette Screw
 - Thumbpress
 - Strikeplate

Extended Door Thickness: 2 3/8" - 2 5/8"

- Extended Components:
- 1 3/4" Threaded Cylinder
 - 2 1/4" Long Spindle
 - 2 1/2" Top Rosette Screw
 - 2" Bottom Rosette Screw
 - Extended Thumbpress
 - Extended Strikeplate
 - **2 3/4" TD Requires 2" Threaded Cylinder**



Rectangular Full Length Mortise
Part # 3326

Standard interior trim
Part # 3326*

Additional Dimensions: (Part # 3326)

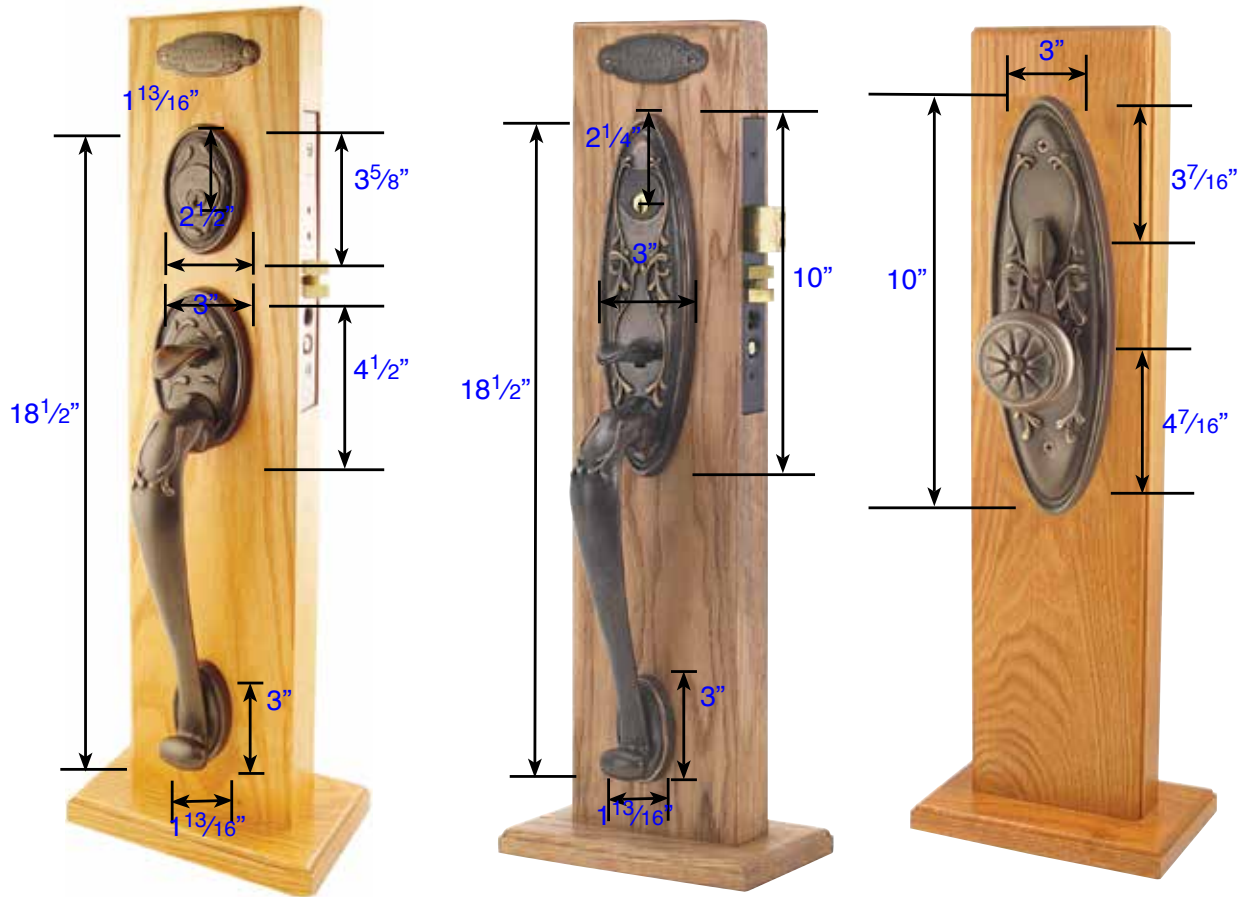
- Exterior Projection is 31/8"
- Interior Projection Depends on Handle Style
- Overall Grip thickness: 13/4"
- Clearance between door & grip is 13/4"
- Plates thickness: 1/2"

Same dimensions for dummy function

*** Available in Lever By Lever/ Knob by Knob Mortise Entrance Handlesets. Same dimensions as interior trim of standard mortise entrance handlesets.**

Door Thickness Specifications		
<p>Standard Door Thickness: 1 3/4"</p> <p>Standard Components:</p> <ul style="list-style-type: none"> • 1 3/8" Threaded Cylinder • 2" Long Spindle • 2" Top Rosette Screw • 1 1/2" Bottom Rosette Screw • Thumbpress • Strikeplate 	<p>Extended Door Thickness: 1 7/8" - 2 1/4"</p> <p>Extended Components:</p> <ul style="list-style-type: none"> • 1 1/2" Threaded Cylinder • 2" Long Spindle • 2 1/2" Top Rosette Screw • 2" Bottom Rosette Screw • Thumbpress • Strikeplate 	<p>Extended Door Thickness: 2 3/8" - 2 5/8"</p> <p>Extended Components:</p> <ul style="list-style-type: none"> • 1 3/4" Threaded Cylinder • 2 1/4" Long Spindle • 2 1/2" Top Rosette Screw • 2" Bottom Rosette Screw • Extended Thumbpress • Extended Strikeplate • 2 3/4" TD Requires 2" Threaded Cylinder

Entrance Handlesets - Tuscany Naples & Da Vinci Mortise



Naples Mortise Entryset
Part # 3334

Da Vinci Entryset
Part # 3331

Standard interior trim
Part # 3331/3334*

Additional Dimensions: (Part # 3334, 3331)

- Exterior Projection is 3⁹/₃₂"
- Interior Projection Depends on Handle Style
- Overall Grip thickness: 1⁹/₁₆"
- Clearance between door & grip is 1⁷/₈"
- Plates thickness: 1¹/₁₆"

Same dimensions for dummy function

*** Available in Lever/ Knob by Knob Mortise Entrance Handlesets. Same dimensions as interior trim of standard mortise entrance handlesets.**

Door Thickness Specifications

Standard Door Thickness: 1 3/4"

Standard Components:

- 1 3/8" Threaded Cylinder
- 2" Long Spindle
- 2" Top Rosette Screw
- 1 1/2" Bottom Rosette Screw
- Thumbpress
- Strikeplate

Extended Door Thickness: 1 7/8" - 2 1/4"

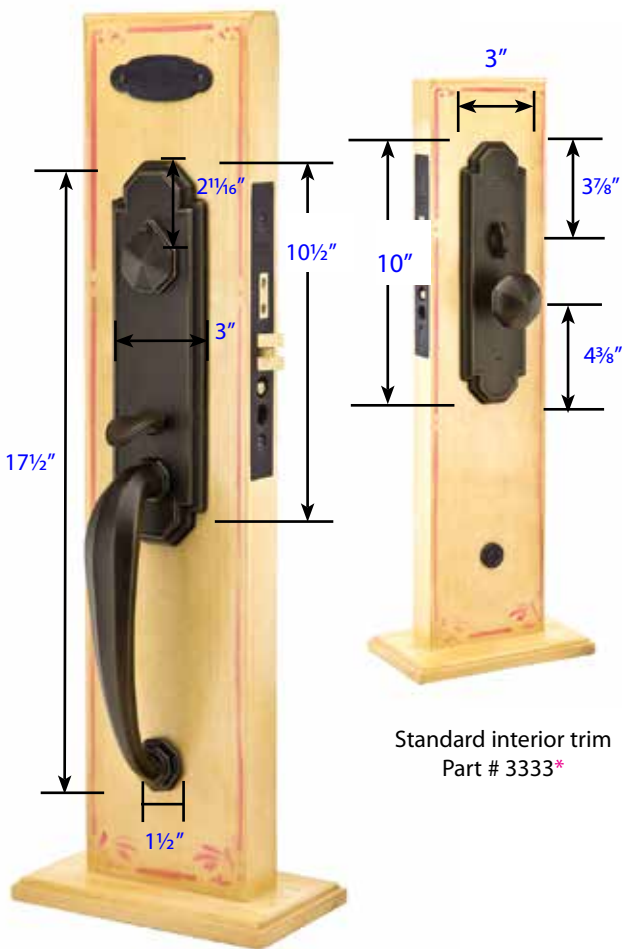
Extended Components:

- 1 1/2" Threaded Cylinder
- 2" Long Spindle
- 2 1/2" Top Rosette Screw
- 2" Bottom Rosette Screw
- Thumbpress
- Strikeplate

Extended Door Thickness: 2 3/8" - 2 5/8"

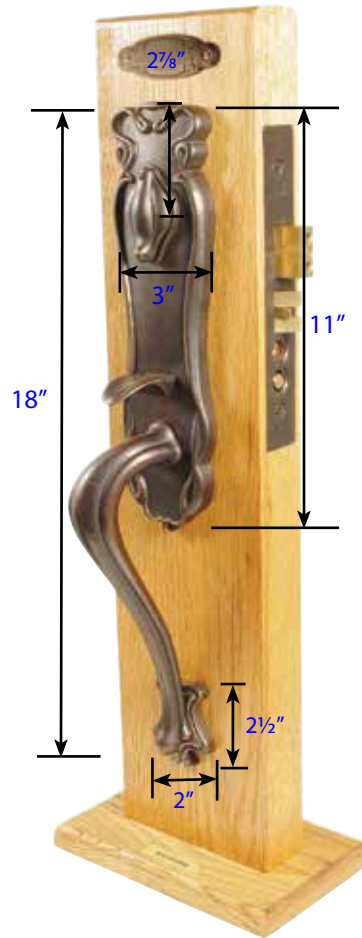
Extended Components:

- 1 3/4" Threaded Cylinder
- 2 1/4" Long Spindle
- 2 1/2" Top Rosette Screw
- 2" Bottom Rosette Screw
- Extended Thumbpress
- Extended Strikeplate
- **2 3/4" TD Requires 2" Threaded Cylinder**



Octagon Mortise Entryset
Part # 3333

Standard interior trim
Part # 3333*



Art Nouveau Mortise Entryset
Left Hand Grip
Part # 3332

Standard interior trim
Part # 3332*

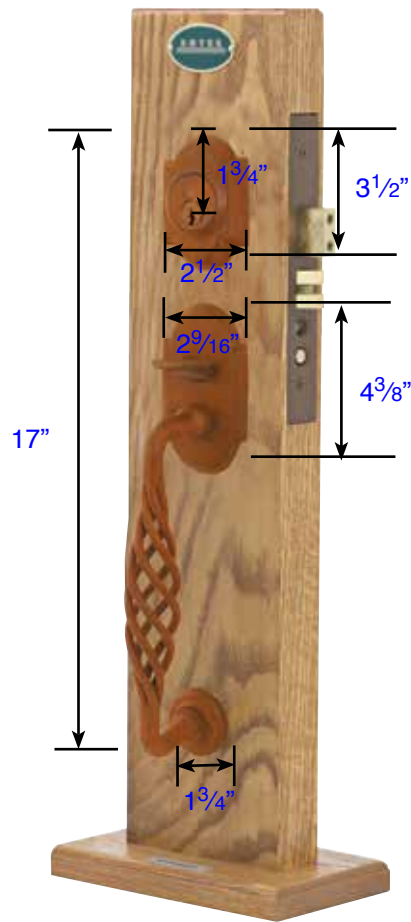
Additional Dimensions: (Part # 3333 & 3332)

- Exterior Projection is 3¹/₁₆"
- Interior Projection Depends on Handle Style
- Overall Grip thickness: 2¹/₈"
- Clearance between door & grip is 1⁹/₁₆"
- Plates thickness: 1¹/₂"

Same dimensions for dummy function

*** Available in Lever By Lever/ Knob by Knob Mortise Entrance Handlesets. Same dimensions as interior trim of standard mortise entrance handlesets.**

Door Thickness Specifications		
<p>Standard Door Thickness: 1 3/4"</p> <p>Standard Components:</p> <ul style="list-style-type: none"> • 1 3/8" Threaded Cylinder • 2" Long Spindle • 2" Top Rosette Screw • 1 1/2" Bottom Rosette Screw • Thumbpress • Strikeplate 	<p>Extended Door Thickness: 1 7/8" - 2 1/4"</p> <p>Extended Components:</p> <ul style="list-style-type: none"> • 1 1/2" Threaded Cylinder • 2" Long Spindle • 2 1/2" Top Rosette Screw • 2" Bottom Rosette Screw • Thumbpress • Strikeplate 	<p>Extended Door Thickness: 2 3/8" - 2 5/8"</p> <p>Extended Components:</p> <ul style="list-style-type: none"> • 1 3/4" Threaded Cylinder • 2 1/4" Long Spindle • 2 1/2" Top Rosette Screw • 2" Bottom Rosette Screw • Extended Thumbpress • Extended Strikeplate <p>• 2 3/4" TD Requires 2" Threaded Cylinder</p>



Lafayette Grip
Part # 3314

Additional Dimensions: (Part # 3314)

- Exterior Projection is 3 1/8"
- Interior Projection Depends on Handle Style
- Overall Grip thickness: 1 1/2"
- Clearance between door & grip is 1 1/4"
- Plates thickness: 1/2"

Same dimensions for dummy function



San Carlos Grip
Part # 3315

Additional Dimensions: (Part # 3315)

- Exterior Projection is 3 1/2"
- Interior Projection Depends on Handle Style
- Overall Grip thickness: 3/4"
- Clearance between door & grip is 2"
- Plates thickness: 1/2"

Same dimensions for dummy function

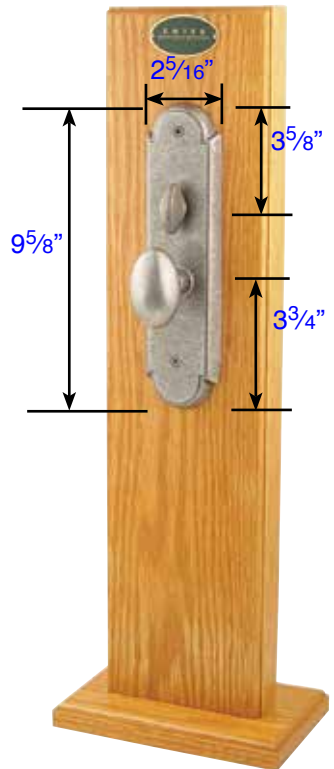


Normandy Grip
Part # 3316

Additional Dimensions: (Part # 3316)

- Exterior Projection is 3"
- Interior Projection Depends on Handle Style
- Overall Grip thickness: 1"
- Clearance between door & grip is 1 5/8"
- Plates thickness: 1/2"

Same dimensions for dummy function



Standard interior trim
Part # 3314/3315/3316*

*** Available in Lever By Lever/ Knob by Knob Mortise Entrance Handlesets. Same dimensions as interior trim of standard mortise entrance handlesets.**

Door Thickness Specifications

Standard Door Thickness: 1 3/4"

Standard Components:

- 1 3/8" Threaded Cylinder
- 2" Long Spindle
- 2" Top Rosette Screw
- 1 1/2" Bottom Rosette Screw
- Thumbpress
- Strikeplate

Extended Door Thickness: 1 7/8" - 2 1/4"

Extended Components:

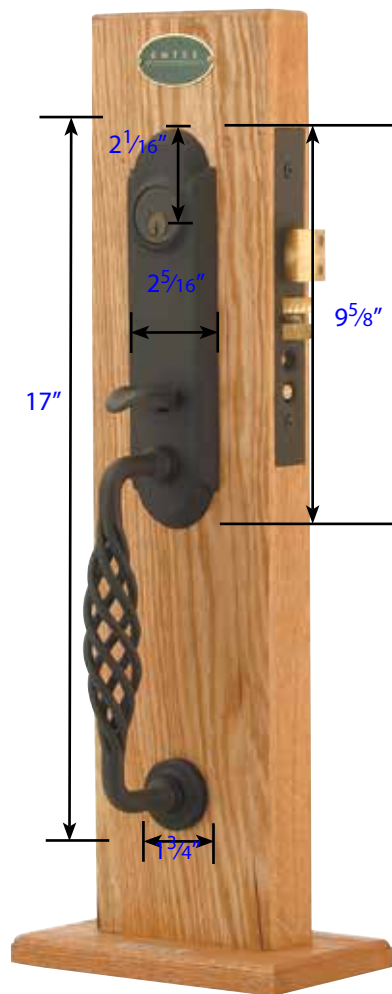
- 1 1/2" Threaded Cylinder
- 2" Long Spindle
- 2 1/2" Top Rosette Screw
- 2" Bottom Rosette Screw
- Thumbpress
- Strikeplate

Extended Door Thickness: 2 3/8" - 2 5/8"

Extended Components:

- 1 3/4" Threaded Cylinder
- 2 1/4" Long Spindle
- 2 1/2" Top Rosette Screw
- 2" Bottom Rosette Screw
- Extended Thumbpress
- Extended Strikeplate
- **2 3/4" TD Requires 2" Threaded Cylinder**

Entrance Handlesets - Wrought Steel Monolithic Mortise



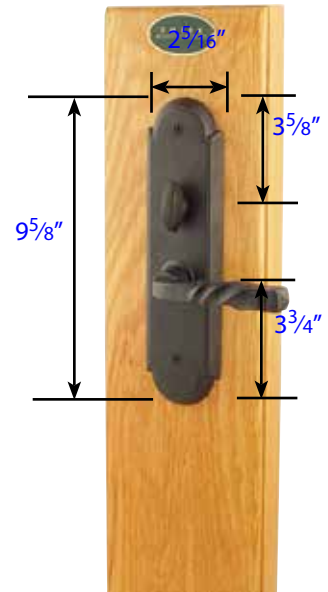
Lafayette Grip
Part # 3311



San Carlos Grip
Part # 3312



Normandy Grip
Part # 3313



Standard interior trim
Part # 3311, 3312, 3313*

Additional Dimensions: (Part # 3312)

- Exterior Projection is 3 1/2"
- Interior Projection Depends on Handle Style
- Overall Grip thickness: 3/4"
- Clearance between door & grip is 2"
- Plates thickness: 1/2"

Same dimensions for dummy function

*** Available in Lever By Lever/ Knob by Knob Mortise Entrance Handlesets. Same dimensions as interior trim of standard mortise entrance handlesets.**

Additional Dimensions: (Part # 3311)

- Exterior Projection is 3 1/8"
- Interior Projection Depends on Handle Style
- Overall Grip thickness: 1 1/2"
- Clearance between door & grip is 1 1/4"
- Plates thickness: 1/2"

Same dimensions for dummy function

Additional Dimensions: (Part # 3313)

- Exterior Projection is 3"
- Interior Projection Depends on Handle Style
- Overall Grip thickness: 1"
- Clearance between door & grip is 1 5/8"
- Plates thickness: 1/2"

Same dimensions for dummy function

Door Thickness Specifications

Standard Door Thickness: 1 3/4"

Standard Components:

- 1 3/8" Threaded Cylinder
- 2" Long Spindle
- 2" Top Rosette Screw
- 1 1/2" Bottom Rosette Screw
- Thumbpress
- Strikeplate

Extended Door Thickness: 1 7/8" - 2 1/4"

Extended Components:

- 1 1/2" Threaded Cylinder
- 2" Long Spindle
- 2 1/2" Top Rosette Screw
- 2" Bottom Rosette Screw
- Thumbpress
- Strikeplate

Extended Door Thickness: 2 3/8" - 2 5/8"

Extended Components:

- 1 3/4" Threaded Cylinder
- 2 1/4" Long Spindle
- 2 1/2" Top Rosette Screw
- 2" Bottom Rosette Screw
- Extended Thumbpress
- Extended Strikeplate
- **2 3/4" TD Requires 2" Threaded Cylinder**